



# Royal Industrial Suppliers

Quality Fasteners Specialist

No. 4, M.G.S. Complex, Benki Nawab Street, S.P. Road Cross, Bangalore 560002



8310165941 / 9008782885



sales@royalfastenersindia.com



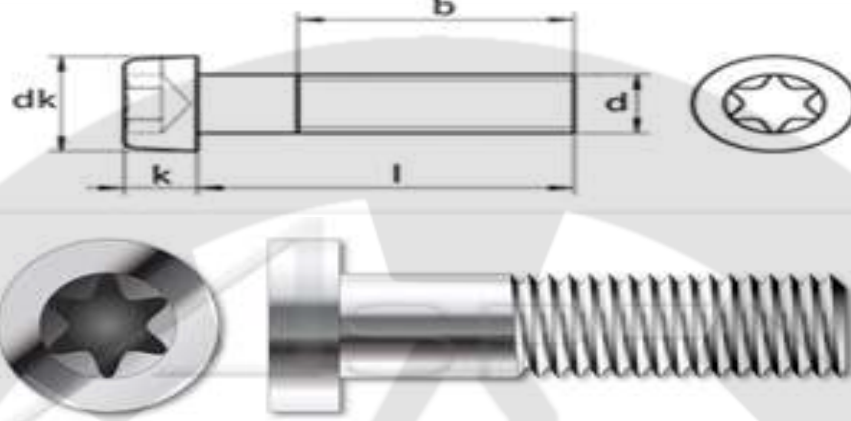
www.royalfastenersindia.com

**LOW HEAD ALLEN CAP SCREW**  
ISO 14580 – HALF THREAD

CATALOGUE NUMBER: **R4iC39H**

**ANSI 304 A2**

Note: Head may be plain or knurled



Param↓	Size→	M3x0.5	M4x0.7	M5x0.8	M6x1.0	M8x1.25
dk Max		5.50	7.00	8.50	10.00	13.00
dk Min		5.32	6.78	8.28	9.78	12.73
k		2.40	3.10	3.65	4.40	5.80
Thread Length b		25.00	38.00	38.00	38.00	38.00
Drive Bit		TX10	TX20	TX25	TX30	TX45

Send your Orders / Enquiries along with the following Item Codes

All Dimensions are in MM

Length↓	Size→	M3x0.5	M4x0.7	M5x0.8	M6x1.0	M8x1.25
30		R4iC39H03030				
35		R4iC39H03035				
40		R4iC39H03040	R4iC39H04040	R4iC39H05040	R4iC39H06040	R4iC39H08040
45			R4iC39H04045	R4iC39H05045	R4iC39H06045	R4iC39H08045
50			R4iC39H04050	R4iC39H05050	R4iC39H06050	R4iC39H08050
55				R4iC39H05055	R4iC39H06055	R4iC39H08055
60				R4iC39H05060	R4iC39H06060	R4iC39H08060
65					R4iC39H06065	R4iC39H08065
70					R4iC39H06070	R4iC39H08070
75						R4iC39H08075
80						R4iC39H08080

Sizes in BLUE are non-preferred. Availability is limited and MOQ is higher.

Data is strictly informative

Note: All Austenitic Stainless Steel Fasteners may exhibit some Magnetic Properties due to the Manufacturing Process.

Refer: ISO 3506-2 Annex F